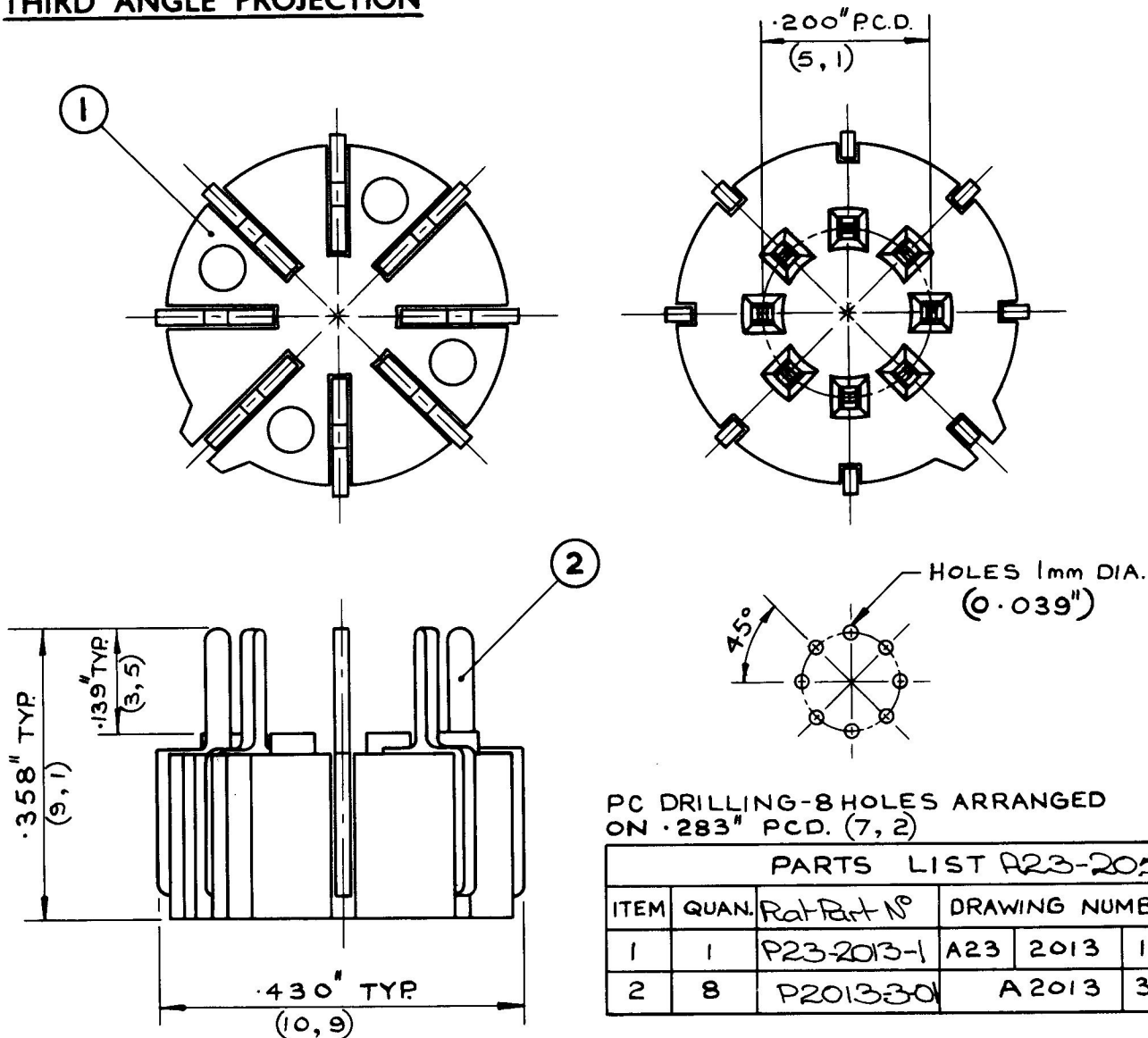


DRG. No. A23 2052 1

FOR EXPLANATION OF DIMENSIONING, ETC. SEE B.S.308
 REMOVE ALL BURRS & SHARP EDGES.
 A RADIUS OR CHAMFER .02 (MAX.) IS PERMITTED IN CORNERS
 OF BLIND HOLES, RECESSES & STEPS.

THIRD ANGLE PROJECTION



PC DRILLING-8 HOLES ARRANGED
 ON .283" P.C.D. (7, 2)

PARTS LIST P23-2052.					
ITEM	QUAN.	Ref Part No	DRAWING NUMBER		
1	1	P23-2013-1	A23	2013	1
2	8	P2013-30	A2013	3	

DATE	CHANGES	
20.3.78	A.	Type No removed from title block. Parts List rationalised. CM

TOLERANCE ± .005" (0,13) U.O.S.	DRAWN B. LANE.
MATERIAL	TRACED
	CHECKED
	DATE 20-11-70

TITLE SOCKET-8 LEAD - TO99 ETC	SCALE: 5 : 1	DRG. No.
DIMS. INCHES (mm)	A23 2052 1	

JERMYN INDUSTRIES

VESTRY ESTATE, OTFORD, NR. SEVENOAKS, KENT.

A SIZE.

6.A.F.1.3547/8