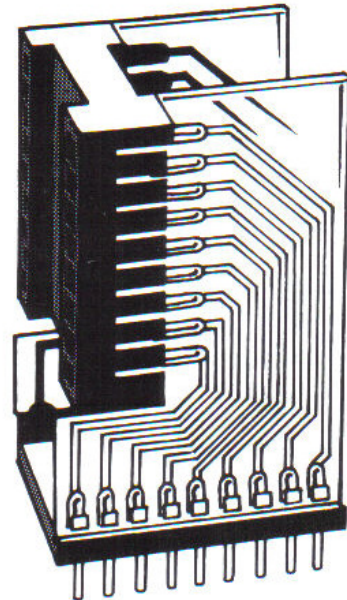


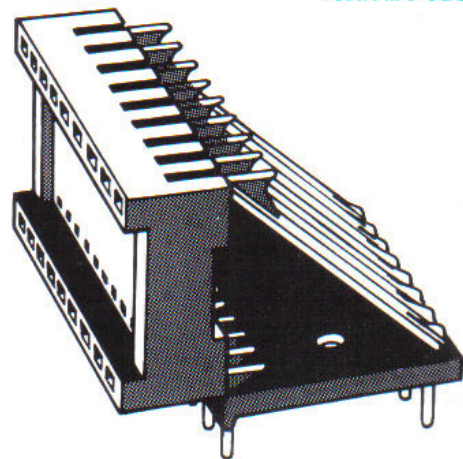
## SERIES W3450

High line 90° mounting. Also for mounting displays at 90° to the PCB but with a much higher stand-off. With this socket, the display will be substantially above PCB level.



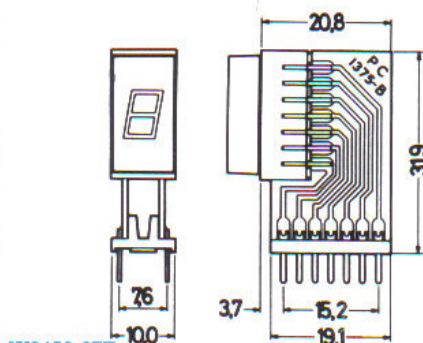
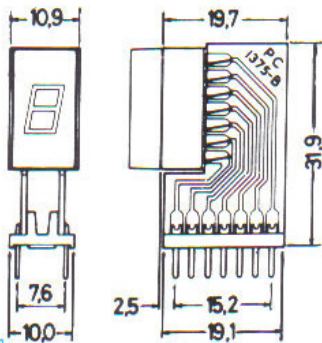
## SERIES W3450

Side line 90° mounting. Ideal for multi-digit displays or for mounting devices on vertical PCBs.



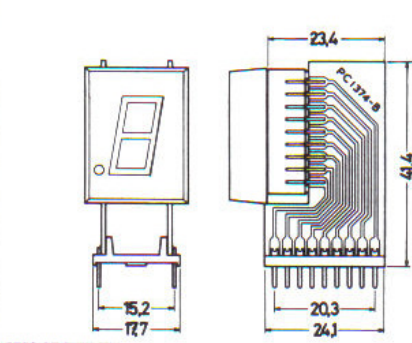
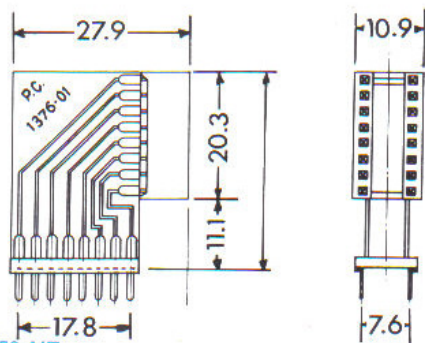
- PCB construction for accurate digit alignment
- Will accept 0.5mm wire leads or 0.64 x 0.4mm lead frame
- 4 different mounting styles

PART NUMBER	TERMINAL TYPE	NUMBER OF CONTACTS	PITCH
W3450-03T	Lead frame	14	0.3"
W3450-07T	Wire	14	0.3"
W3450-14T	Lead frame	16	0.3"
W3450-11T	Wire	18	0.6"



W3450-03T

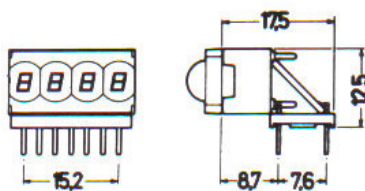
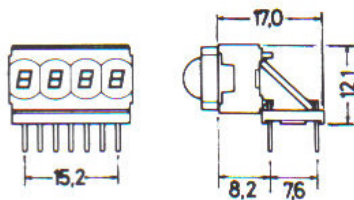
W3450-07T



W3450-14T

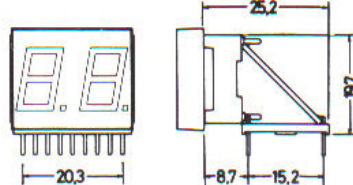
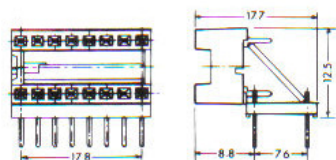
W3450-11T

PART NUMBER	TERMINAL TYPE	NUMBER OF CONTACTS	PITCH
W3450-04T	Lead frame	14	0.3"
W3450-08T	Wire	14	0.3"
W3450-15T	Lead frame	16	0.3"
W3450-12T	Wire	18	0.6"



W3450-04T

W3450-08T



W3450-15T

W3450-12T